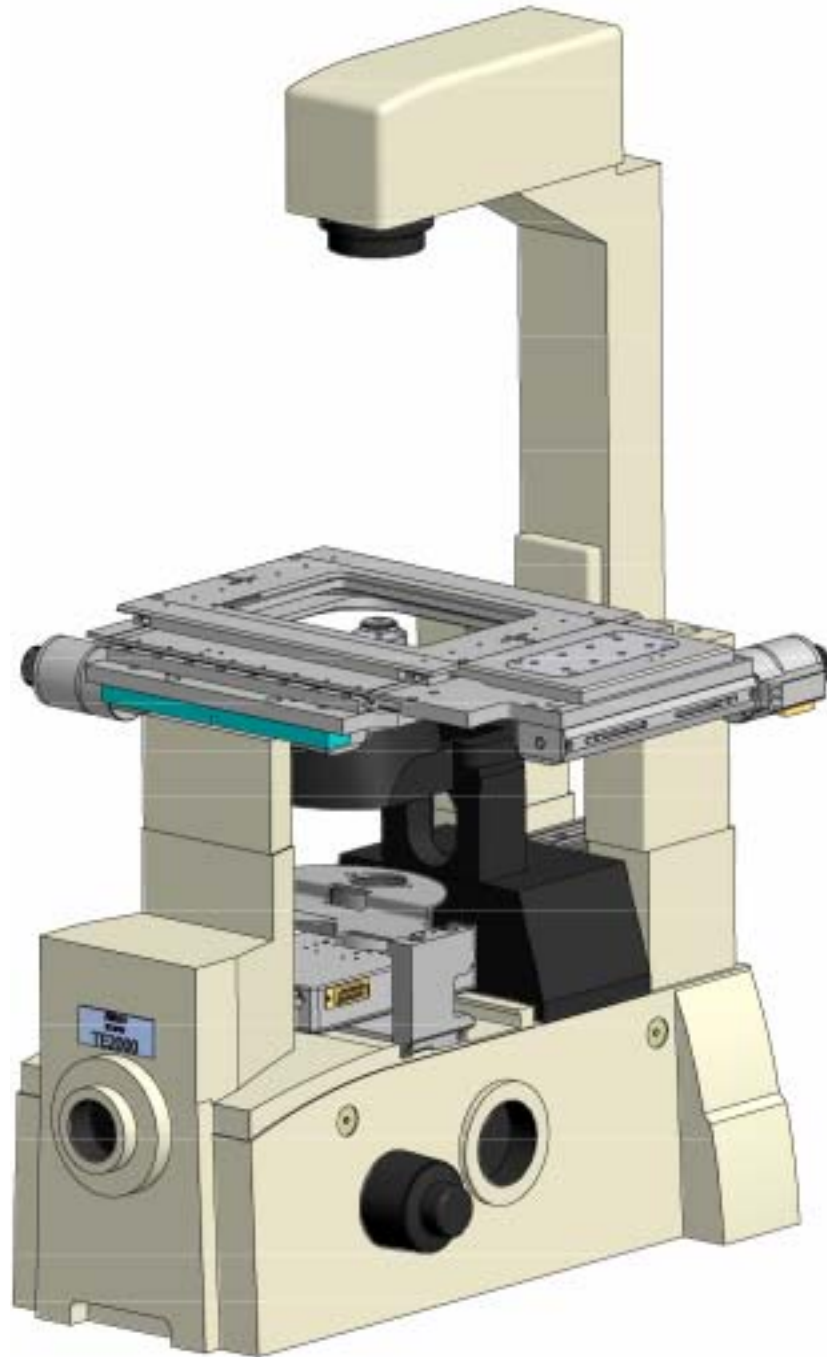


LEP Emission Filterwheel Installation Manual For Nikon Stage Up Kits



Ludl Electronic Products, Ltd.
p/n: 90M035

Revision B
3/10/09

Contents

Contents	1
1. Installation	2
1.1. Introduction	2
1.2. Components	2
1.3. Required Tools	2
1.4. Nikon TE2000	3
1.5. Nikon Ti.....	5

1. Installation

1.1. Introduction

The LEP Nikon TE2000/Ti Emission Filterwheel enables the user to install an emission filterwheel under the objective turret utilizing the Nikon 70mm Stage Up Kit. This allows the image to be captured through the eyepieces as well as the emission ports with out any special hardware.

This manual illustrates the installation of the 9xA351-1 filterwheel and the 99A501, 99A505 mounting flange to the Nikon TE2000 & Nikon Ti microscope.

1.2. Components

The LEP Nikon Emission Filterwheel System should be comprised of the following components:

99A501

- Nikon TE2000 Microscope
- Nikon TE2000 70mm Stage Up Kit
- LEP Nikon TE2000 Emission Filterwheel (9xA351-1)
- LEP Emission Flange Kit for Nikon TE2000 (99A501)
 - 74-M000161 – Filterwheel Mounting Flange
 - 74-M000162 – 70MM EPI Fluorescence Spacers
 - 74-M000163 – Light Guard

99A505

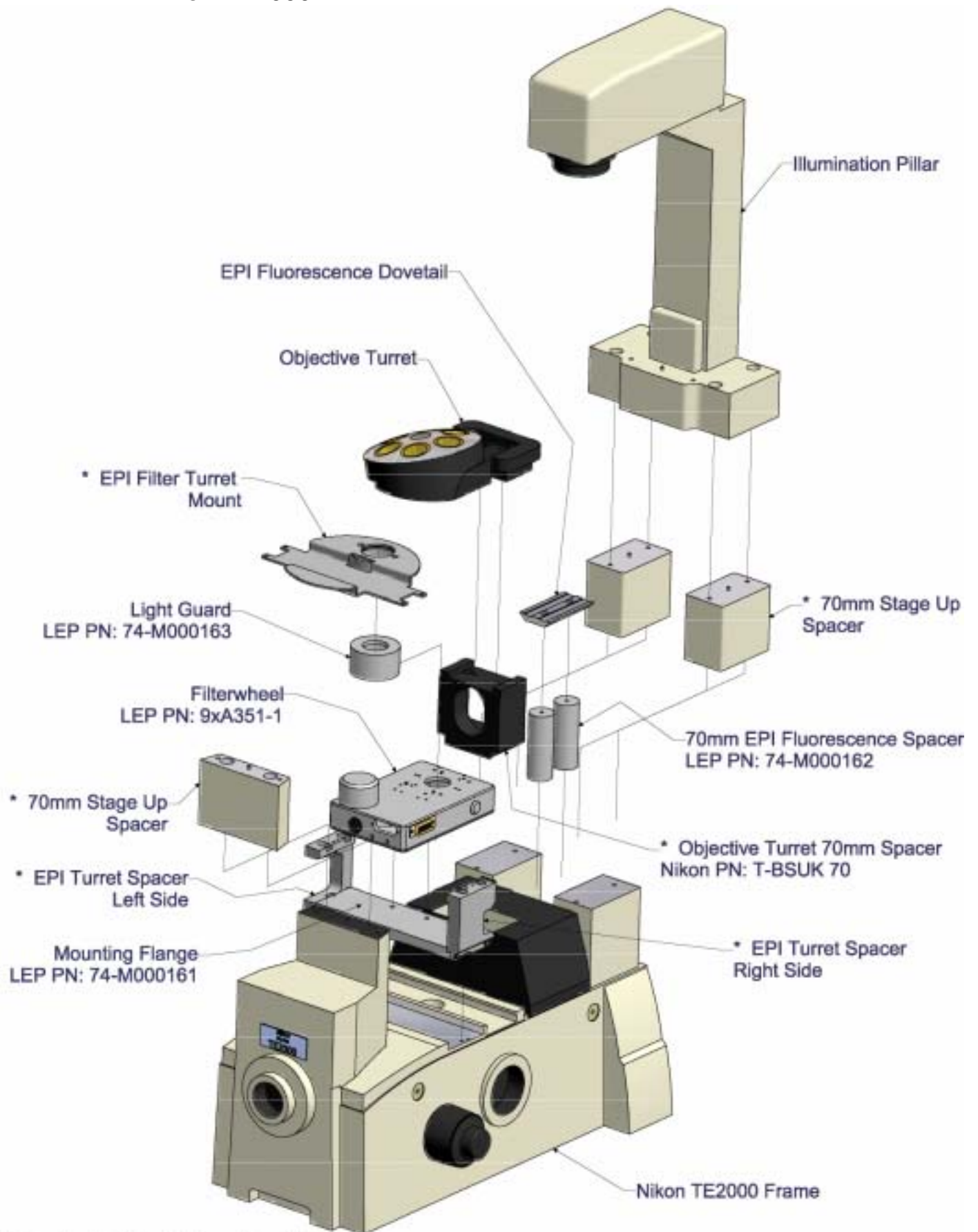
- Nikon Ti Microscope
- Nikon Ti 70mm Stage Up Kit
- LEP Nikon Emission Filterwheel (9xA351-1)
- LEP Emission Flange Kit for Nikon Ti (99A505)
 - 74-M000163 – Light Guard
 - 74-M000166 – Filterwheel Mounting Flange

1.3. Required Tools

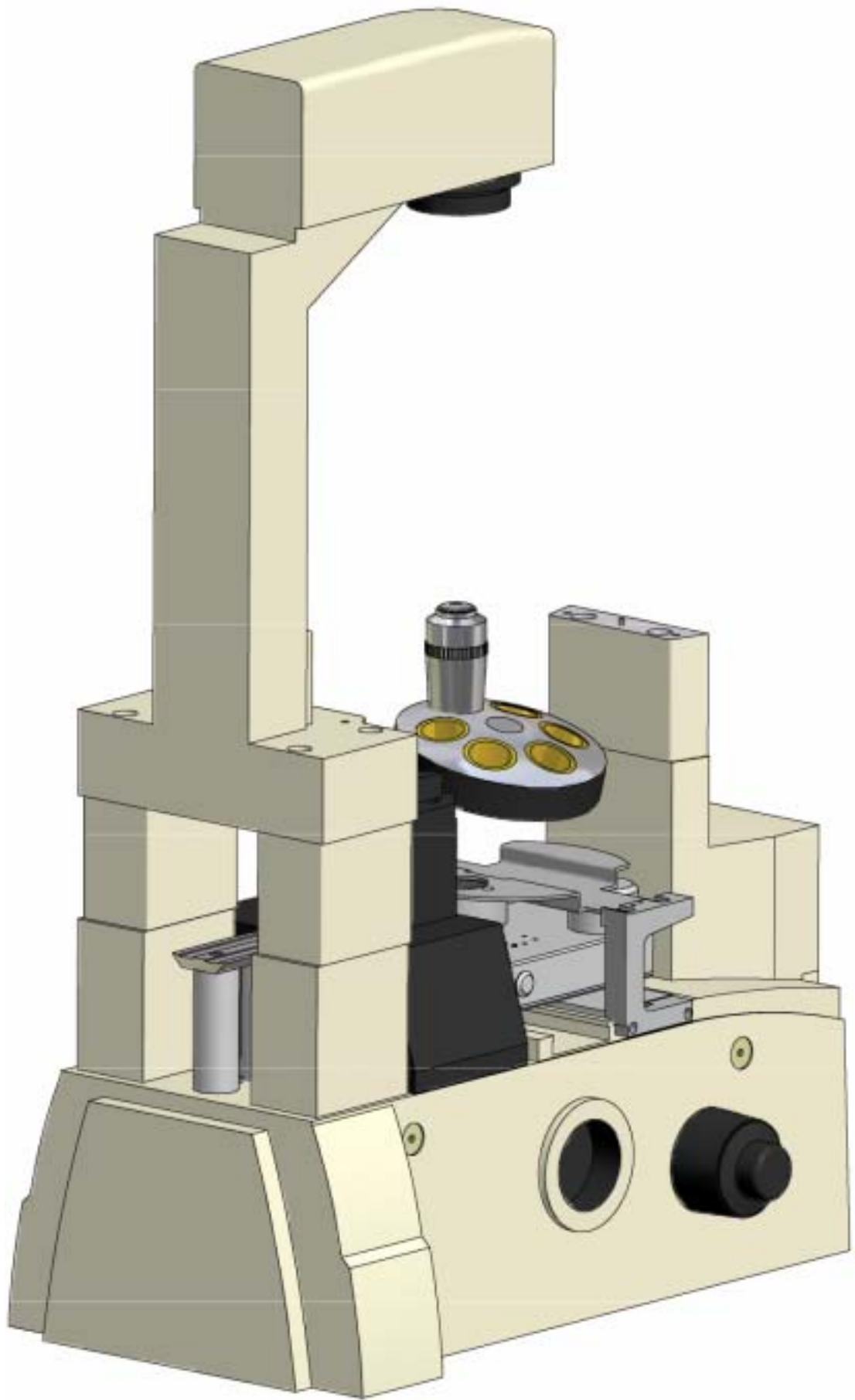
In order to install the LEP Nikon Emission Filterwheel the following tools are required:

- 1.5mm, 2.0mm, 2.5mm, and 4mm Hex Wrenches
- Flat Head Screwdriver

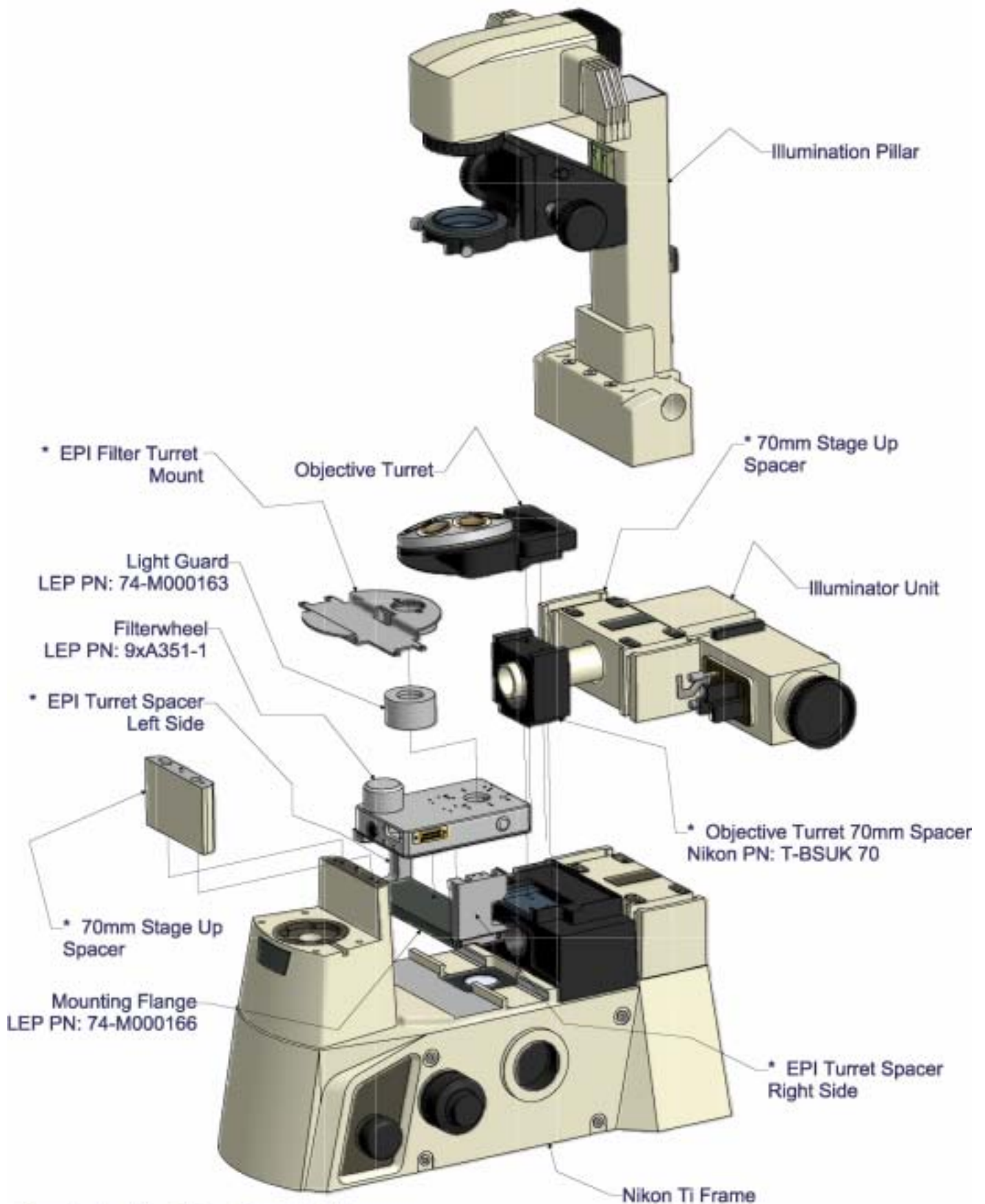
1.4. Nikon TE2000



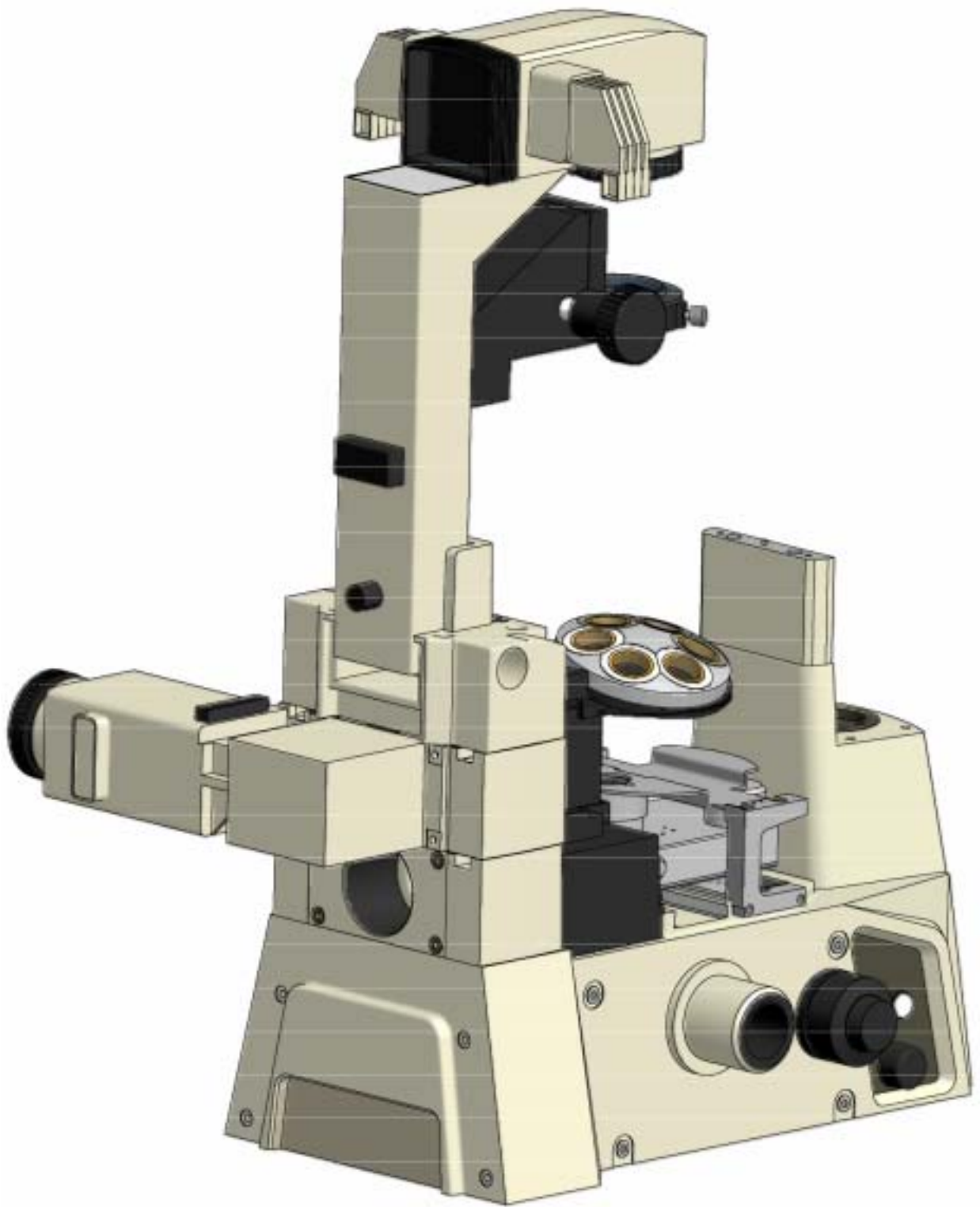
* Supplied in Nikon 70mm Stage Up Kit



1.5. Nikon Ti



* Supplied in Nikon 70mm Stage Up Kit.



Notes

Notes

Notes

Ludl Electronic Products designs and manufactures a wide range of automation accessories for microscopes and instrumentation.

www.ludl.com

Ludl Electronic Products, Ltd.

171 Brady Avenue
Hawthorne, NY 10532
Voice: (888) 769-6111
Fax: (914) 769-4759

Support@ludl.com
Sales@ludl.com